

## WPD / WPHD Bulk water meter

WPD (Woltman 50mm - 150mm)

WPHD (Woltman 200mm - 300mm)

MID / OIML Marked & Conforming to ISO 4064

AMR Technology



### WPD / WPHD Bulk water meter

- ★ Replacable metrological unit (according to european MID/OIML)
- ★ Prepared for remote meter reading
- ★ Flood-proof (IP68) hermetically sealed glass/copper register
- ★ Low starting flow, high overload security
- ★ Wide measuring range, small pressure loss
- ★ No straight inlet or outlet needed (U0/D0) according to OIML R49 and DIN EN 14154
- ★ Approved in accordance with MID and OIML

**ZENNER**

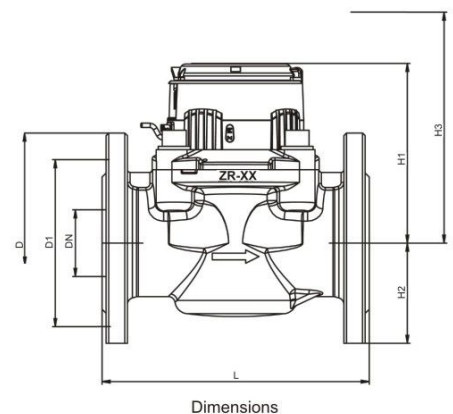
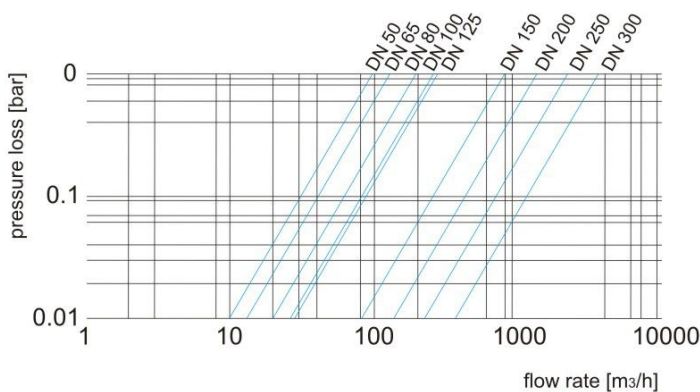
*All that counts.*

## Technical Data WPD (DN - 50 - 150) & WPHD (DN 200- DN 300)

Nominal diameter	DN	mm	50	65	80	100	125	150	200	250	300
Permanent flow	Q3	m <sup>3</sup> /h	40	40	63	80	100	250	400	630	1000
Standard measuring range	Q3/Q1	R	R100H/63V	R100H/63V	R100H/63V	R100H/63V	R100H/63V	R100H/63V	R100H/63V	R100H/63V	R100H/63V
Overload flow (*)	Q4	m <sup>3</sup> /h	50	50	78,75	125	125	312,5	500	787	1250
Minimum flow(*)	Q1	m <sup>3</sup> /h	0,4/0,63	0,4/0,64	0,63/1,01	1,01/1,59	1,01/1,60	2,5/3,97	4,0/6,35	6,3/10,0	10,0/15,87
Transitional flow(*)	Q2	m <sup>3</sup> /h	0,64/1,02	0,64/1,03	1,01/1,61	1,6/2,54	1,6/2,55	4,0/6,35	6,4/10,16	10,08/16,0	16,0/25,4
Pressure loss at Q3	Δp	MPa	0,019	0,012	0,01	0,011	0,012	0,026	0,009	0,008	0,008
Start-up flow rate	-	l/h	65	65	110	150	150	350	2000	2000	2000
Display range	min	l	0,5	0,5	0,5	0,5	0,5	5	5	5	5
	max	m <sup>3</sup>	999.999	999.999	999.999	999.999	999.999	9.999.999	9.999.999	9.999.999	9.999.999
max Pulse value Reed	-	l/Imp.	100/1000	100/1000	100/1000	100/1000	100/1000	1000/10,000	1000/10,000	1000/10,000	1000/10,000
Pulse value modulator disc	-	l/Imp.	10	10	10	10	10	100	100	100	100
Pressure loss at Q3	ΔP	bar	0,19	0,12	0,1	0,11	0,12	0,26	0,09	0,08	0,08
Weight and dimensions :											
Overall length	L	mm	200	200	225	250	250	300	350	450	500
Height	H1	mm	135	135	143	152	152	183	215	267	250
Height	H2	mm	75	85	95	105	115	135	160	193	220
Total height approx (**)	H1+H2	mm	210	220	238	257	267	318	375	460	470
Installation height of the measuring unit	H3	mm	230	230	256	266	266	373	460	460	470
Flange diameter	D	mm	165	185	200	220	210	285	340	405	460
Bolt circle diameter	D1	mm	125	145	160	180	250	240	295	355	410
Number of Bolts	-	pcs	4	4	8	8	8	8	12	12	12
Screw size	-	mm	M16	M16	M16	M16	M16	M20	M20	M24	M24
Bolt diameter	-	mm	19	19	19	19	19	23	23	28	28
Weight approx	-	kg	10,5	11,8	13,4	16,9	20,1	31,5	49	68	105

(\*) Value refer to standard measuring range.

(\*\*) Total height WPDE / W PHDE + 24mm.



### ZENNER AQUAMET INDIA PVT. LTD.

39-B, HSIDC, Sector 31, Faridabad – 121003

Phone : 9818201440, 9871691843

Email : [info@zenneraquamet.com](mailto:info@zenneraquamet.com)

Web. : [www.zenneraquamet.com](http://www.zenneraquamet.com),

[www.aquametwatermeters.com](http://www.aquametwatermeters.com)

### DEALER ADDRESS: